

NDAA **SERIES**

QUICK START GUIDE

IP CAMERAS

TABLE OF CONTENT

- 1. INTRODUCTION..... 2
- 2. SAFETY INSTRUCTIONS..... 2
- 3. INSTALLATION..... 4
 - 3.1 Installation of Bullet Cameras..... 4
 - 3.2 Installation of Mini Dome Cameras..... 6
 - 3.3 Installation of Vandal-Proof Dome Cameras..... 10
 - 3.4 Installation of Bullet Cameras..... 14
- 4. CONNECTING CABLES..... 17
- 5. I/O ALARM WIRING DIAGRAM..... 18
- 6. LOGIN SYSTEM..... 19

1. Introduction

Thanks for purchasing our product. For any question or need, welcome contact us at any time. We will make every effort to ensure correctness of the information contained in this manual, which may be subject to change from time to time without prior notice.

2. Safety Instructions

- 1) Please comply with the power supply specifications as required for this equipment and select the correct power supply.
- 2) In case that the equipment fails to operate properly, immediately contact the manufacturer or the nearest service center, instead of disassembling or changing it in any way on your own.
- 3) For cleaning of the lens, be sure to use an air blower or dedicated lens cleaner. For cleaning of the plastic shield, use a soft and dry cloth to wipe it. Do not use any detergent containing alcohol or benzene.
- 4) Do not drop any object onto the device or Knock heavy on the equipment.
- 5) Do not put the camera toward any strong light source (or lighting lamp or sun), which may cause over-exposure or light leakage (not due to defect of the product) and impair useful life of the camera.
- 6) Avoid use of the equipment in any environment other than suggest in this manual.
- 7) Prevent water or any other liquid from flowing into the equipment.

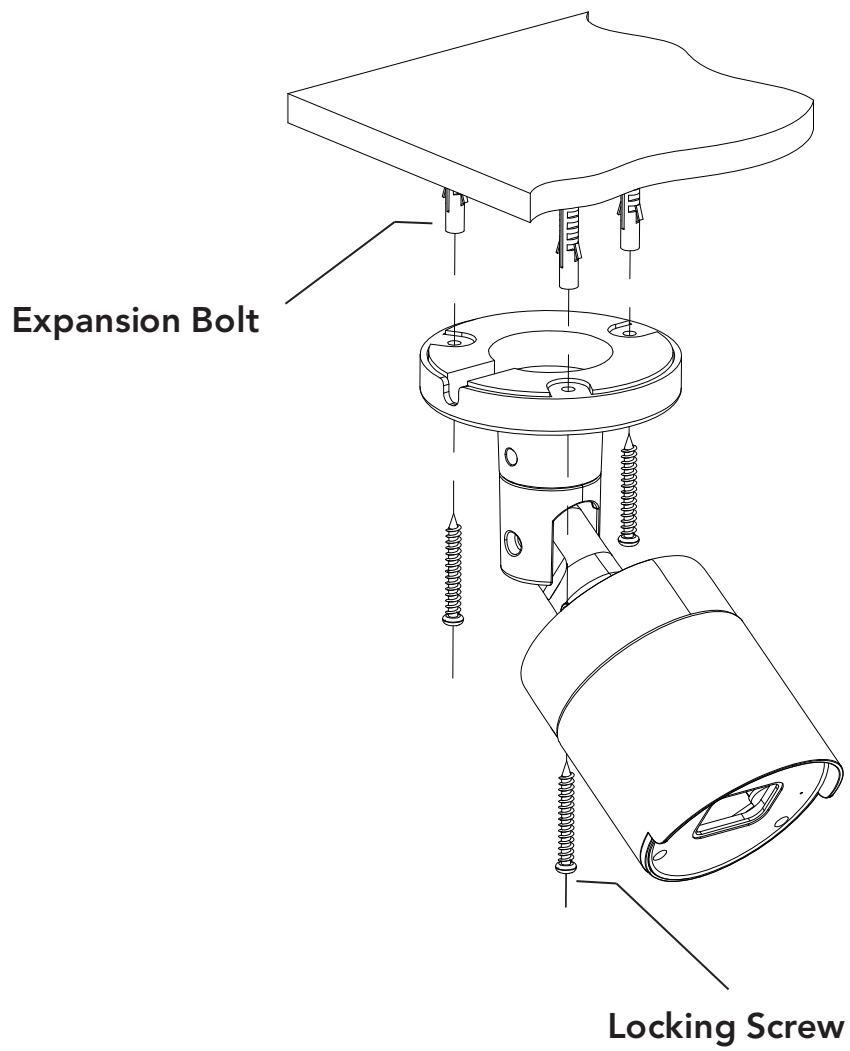
8) For replacement of any part, contact the distributor in advance and make replacement with a new one , or similar components which have the same specification. Change any part in the device without authorization is not permit.

Operating Environment	
Power Supply	DC12V±10%
Temperature	-30°C~60°C
Humidity	10%~95%
Altitude	-60m~3000m
Atmosphere	86kpa~106kpa

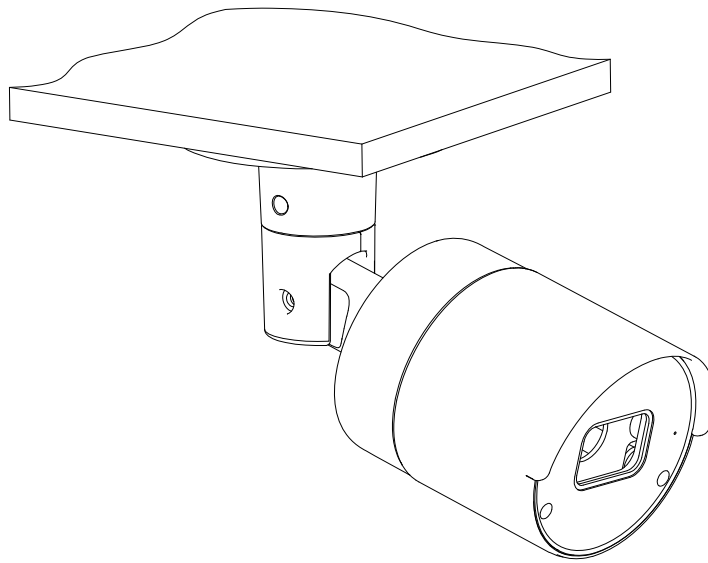
3. Installation

3.1 Installation of Bullet Cameras

a. Ceiling Mounting

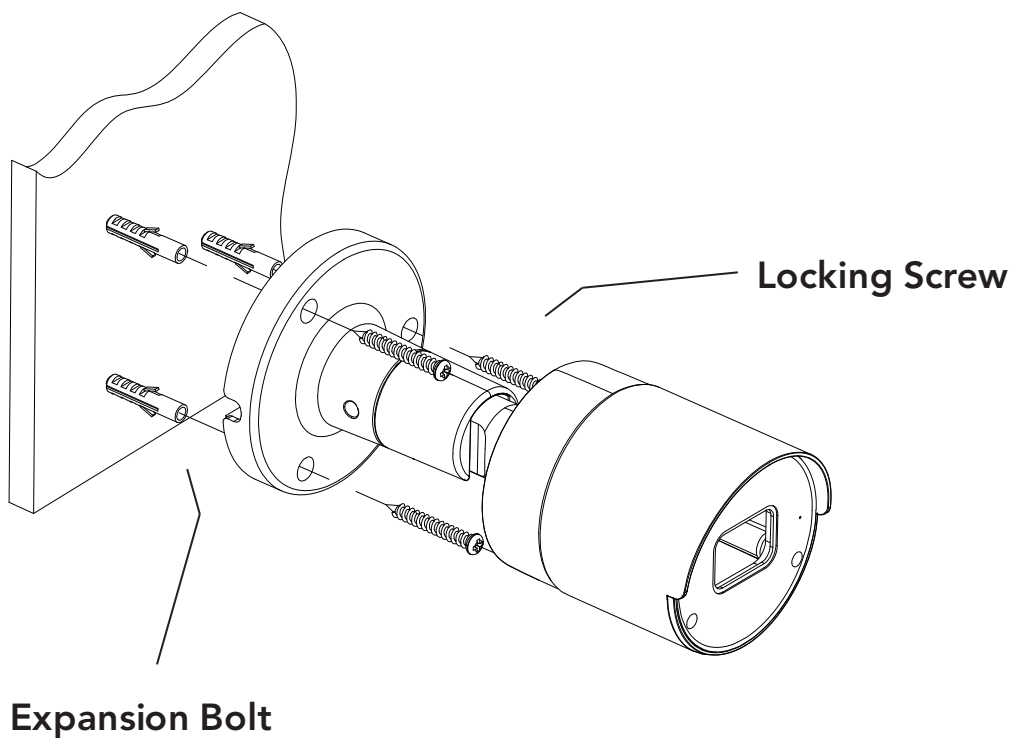


Insert three expansion bolts in place into the ceiling and fix the equipment with three locking screws.

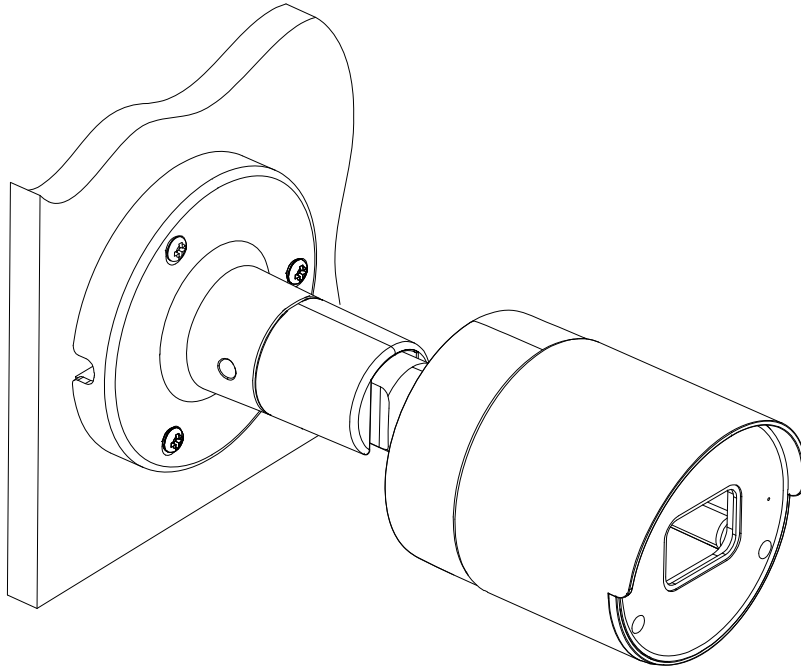


Completion of Installation

b. Wall Mounting



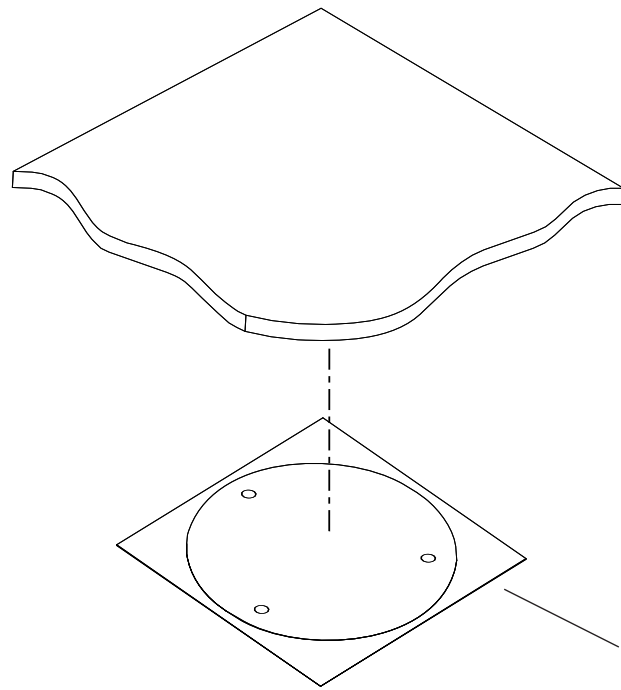
Insert three expansion bolts in place into the wall and fix the equipment with three locking screws.



Completion of Installation

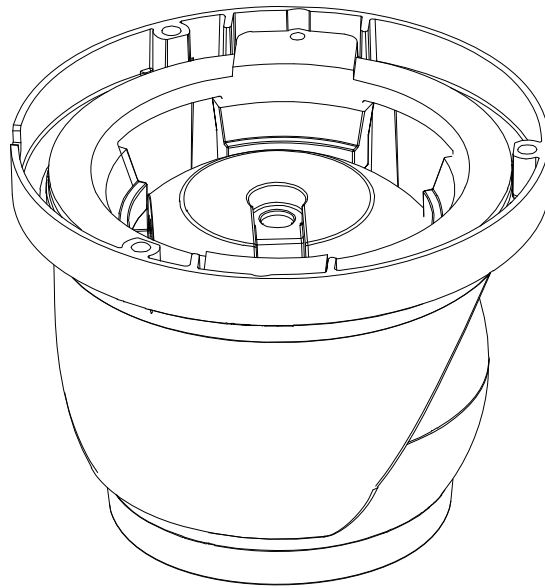
3.2 Installation of Mini Dome Cameras

Ceiling Mounting

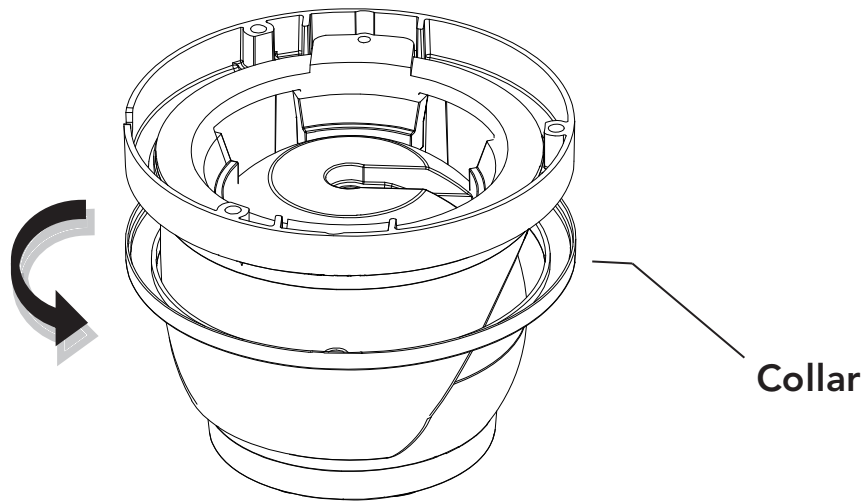


Setup of Sticker

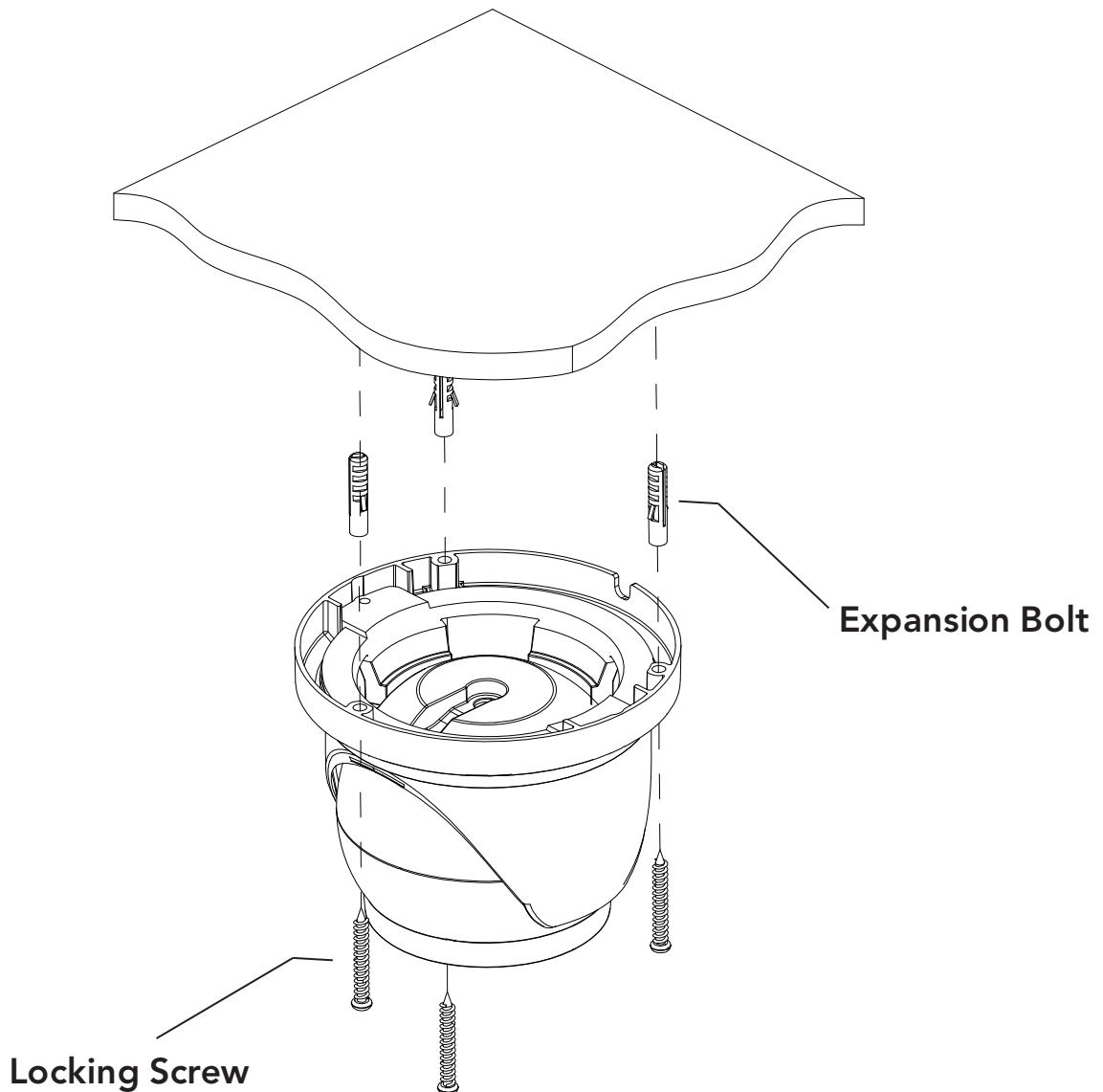
Paste the sticker in place at the proper position as selected.



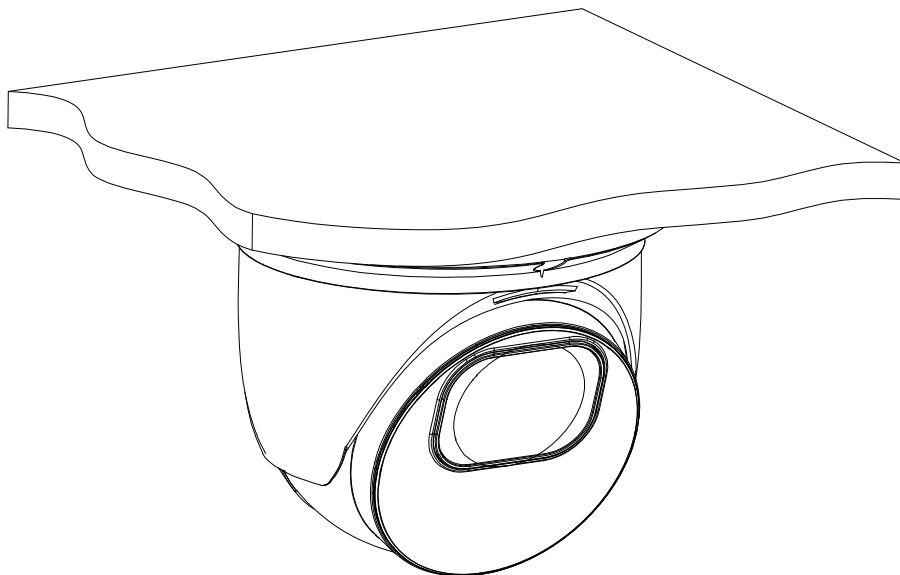
Mini Dome Camera



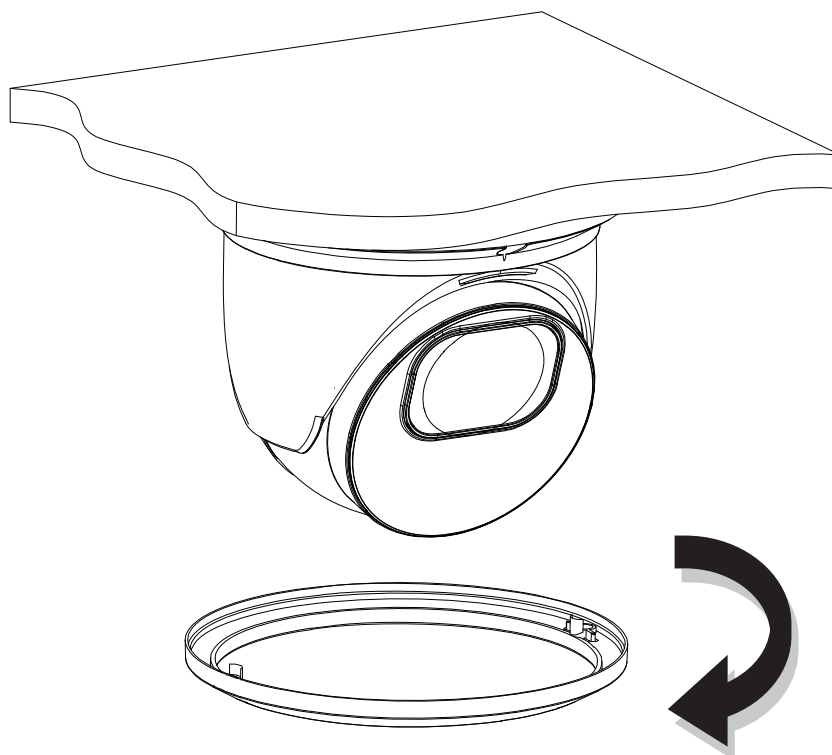
Remove the collar off the camera by rotating it down



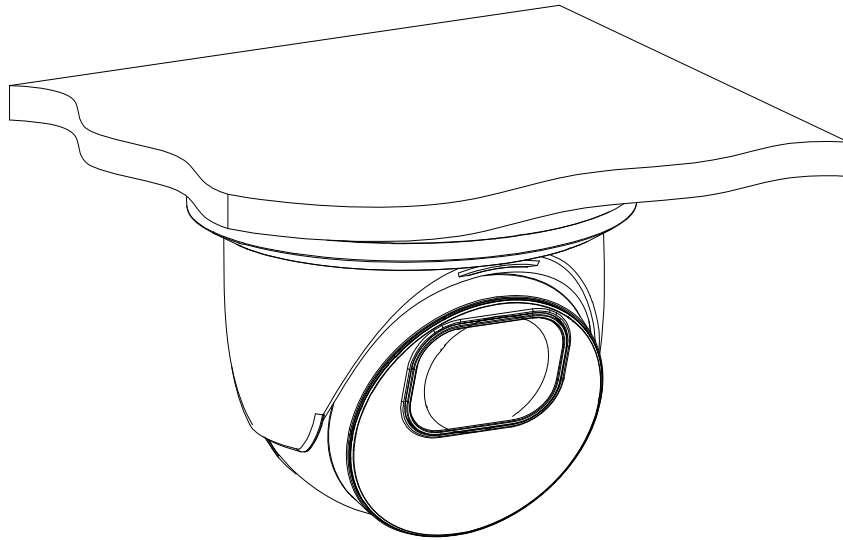
Fix the pedestal by drilling locking holes around the sticker and inserting three expansion bolts into the holes and fastening it with three locking screws.



Adjust it to an appropriate angle.



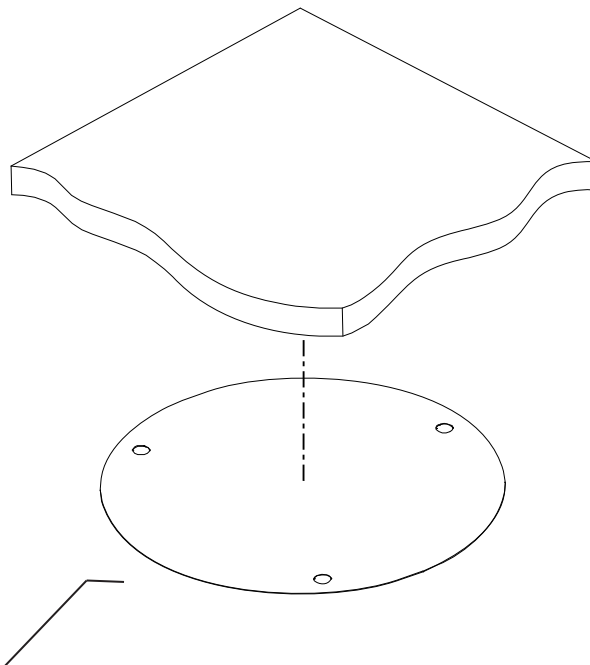
Mount the collar back by rotating it up



Completion of Installation

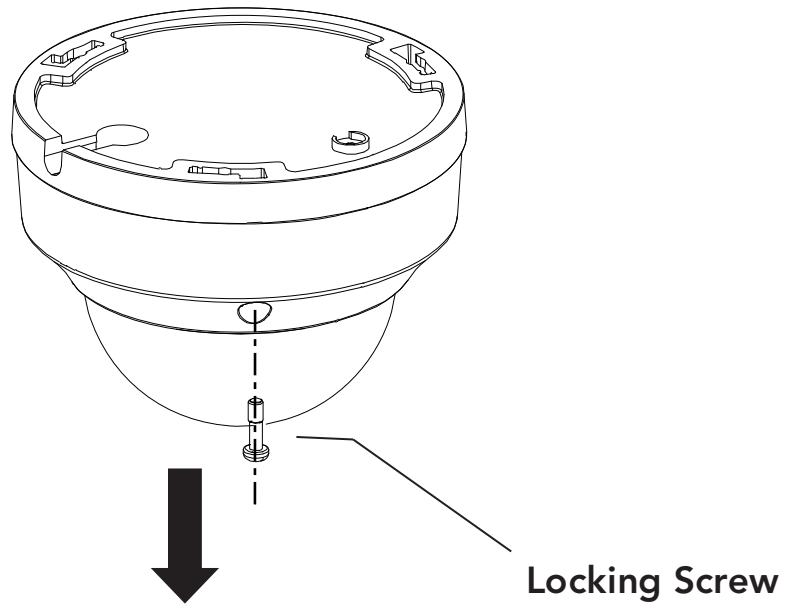
3.3 Installation of Vandal-Proof Dome Cameras

Ceiling Mounting

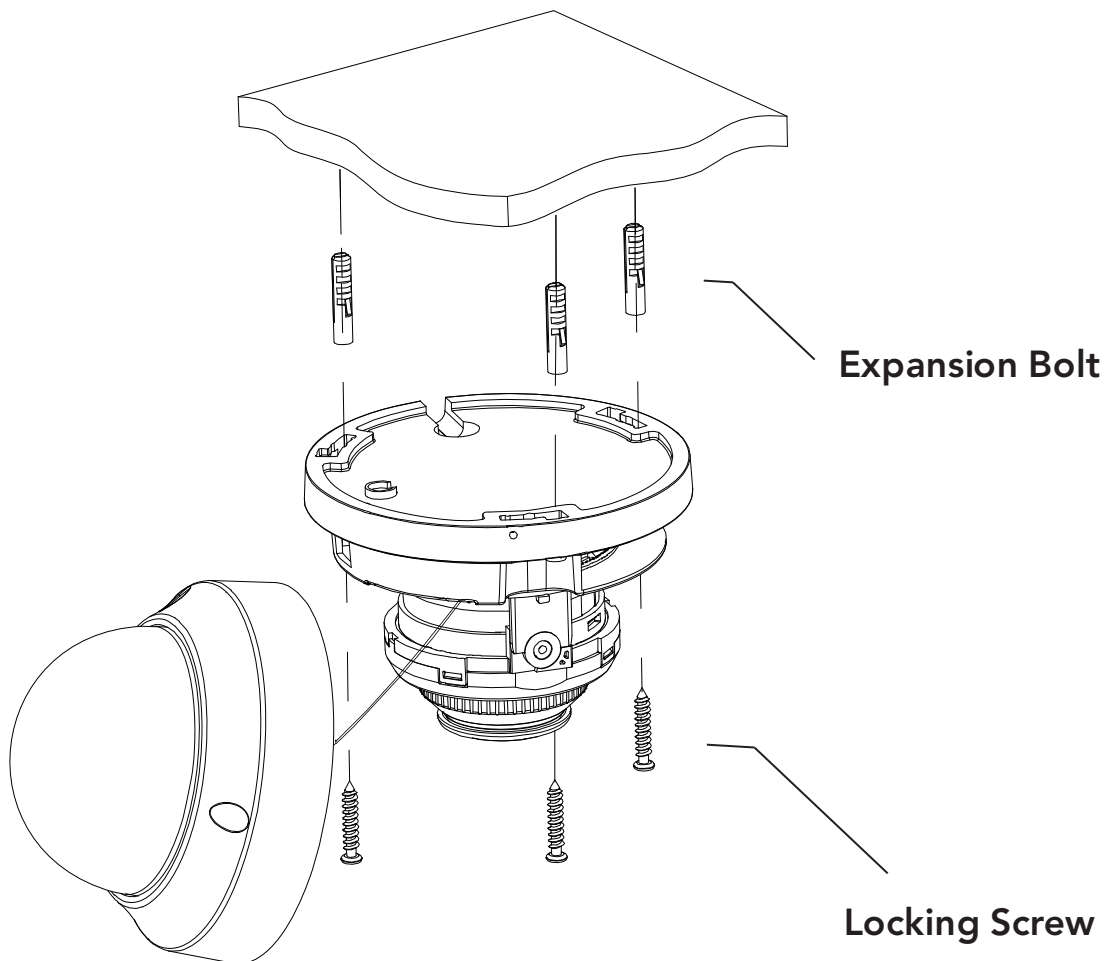


Setup of Sticker

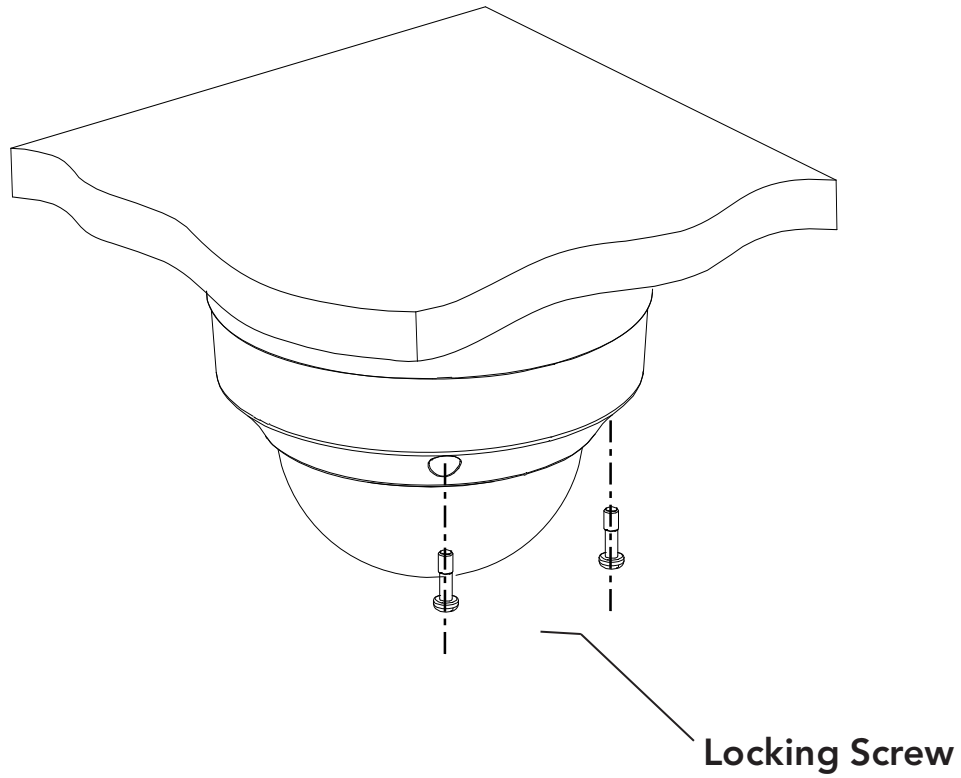
Paste the sticker in place at the proper position as selected.



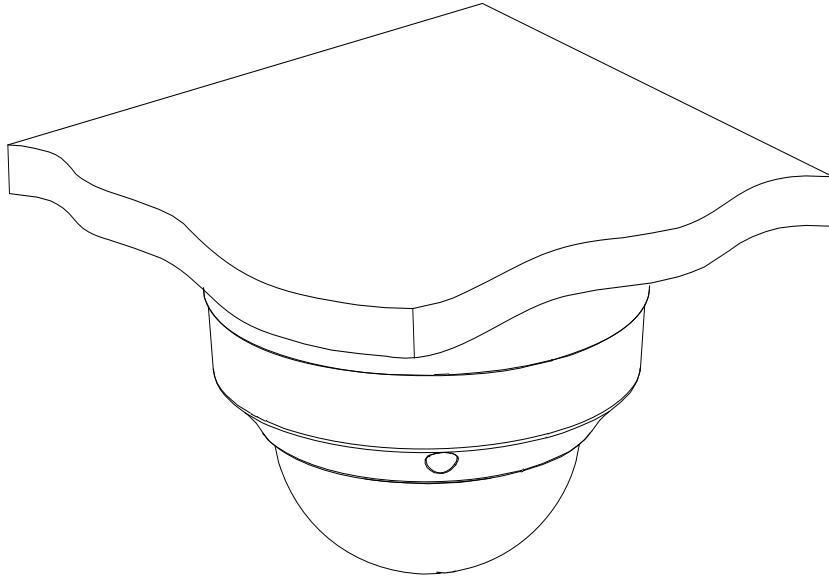
Remove the front component by loosening the three locking screws with a screwdriver.



Fix the pedestal by drilling locking holes around the sticker and inserting four expansion bolts into the holes and fastening it with four locking screws. Adjust it to an appropriate angle.



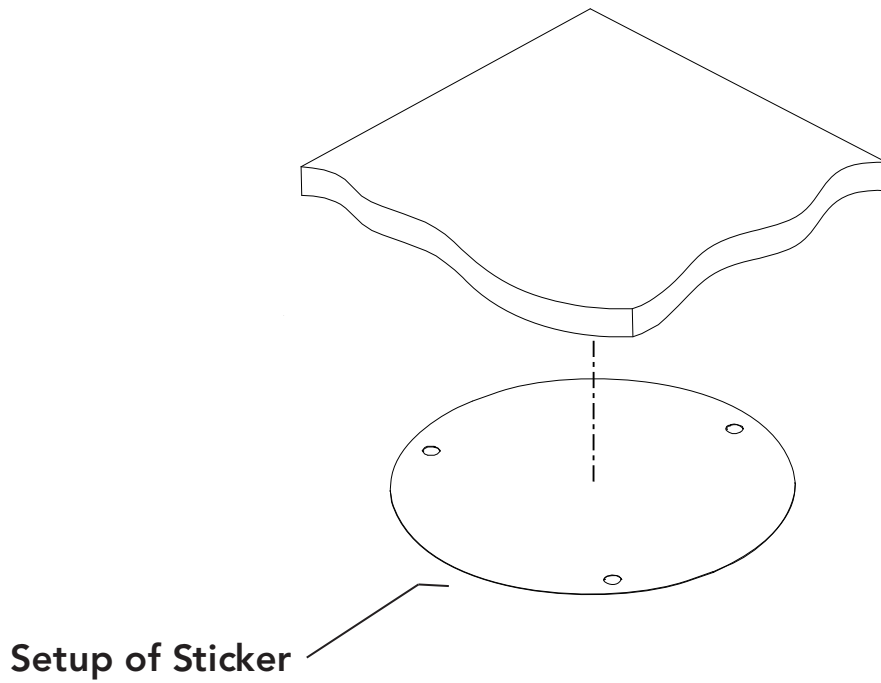
Fix the front component on the pedestal by tightening the three locking screws.



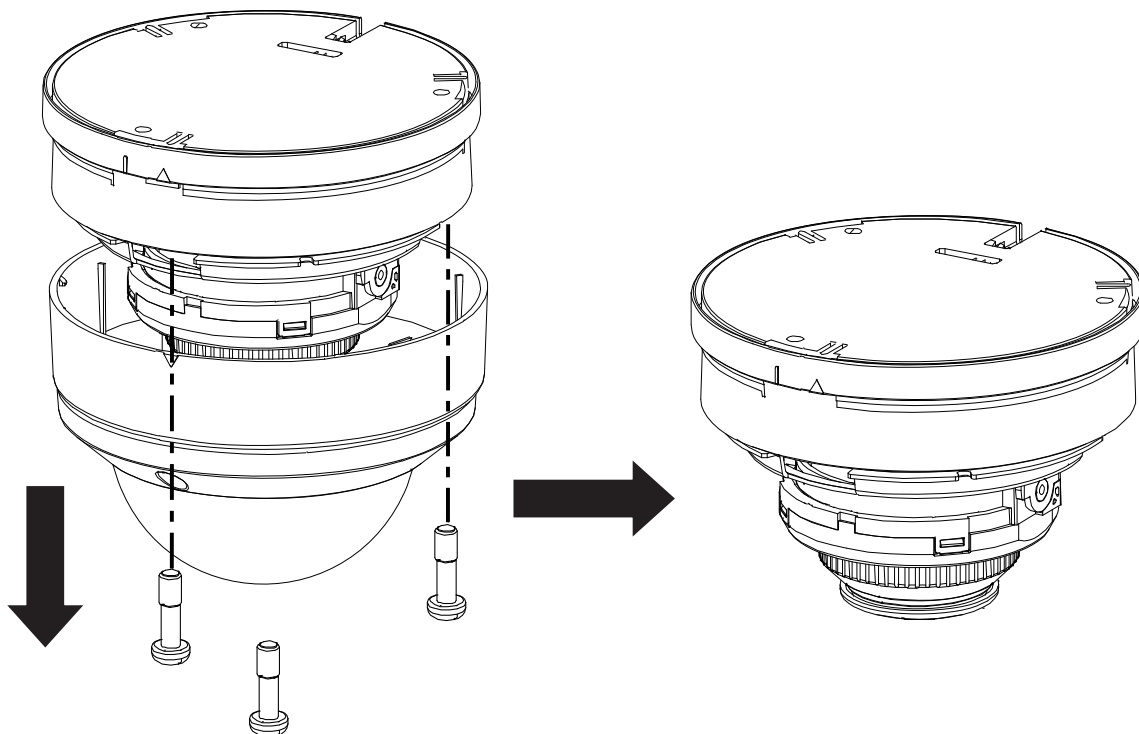
Completion of Installation

3.2 Installation of Indoor Dome Cameras

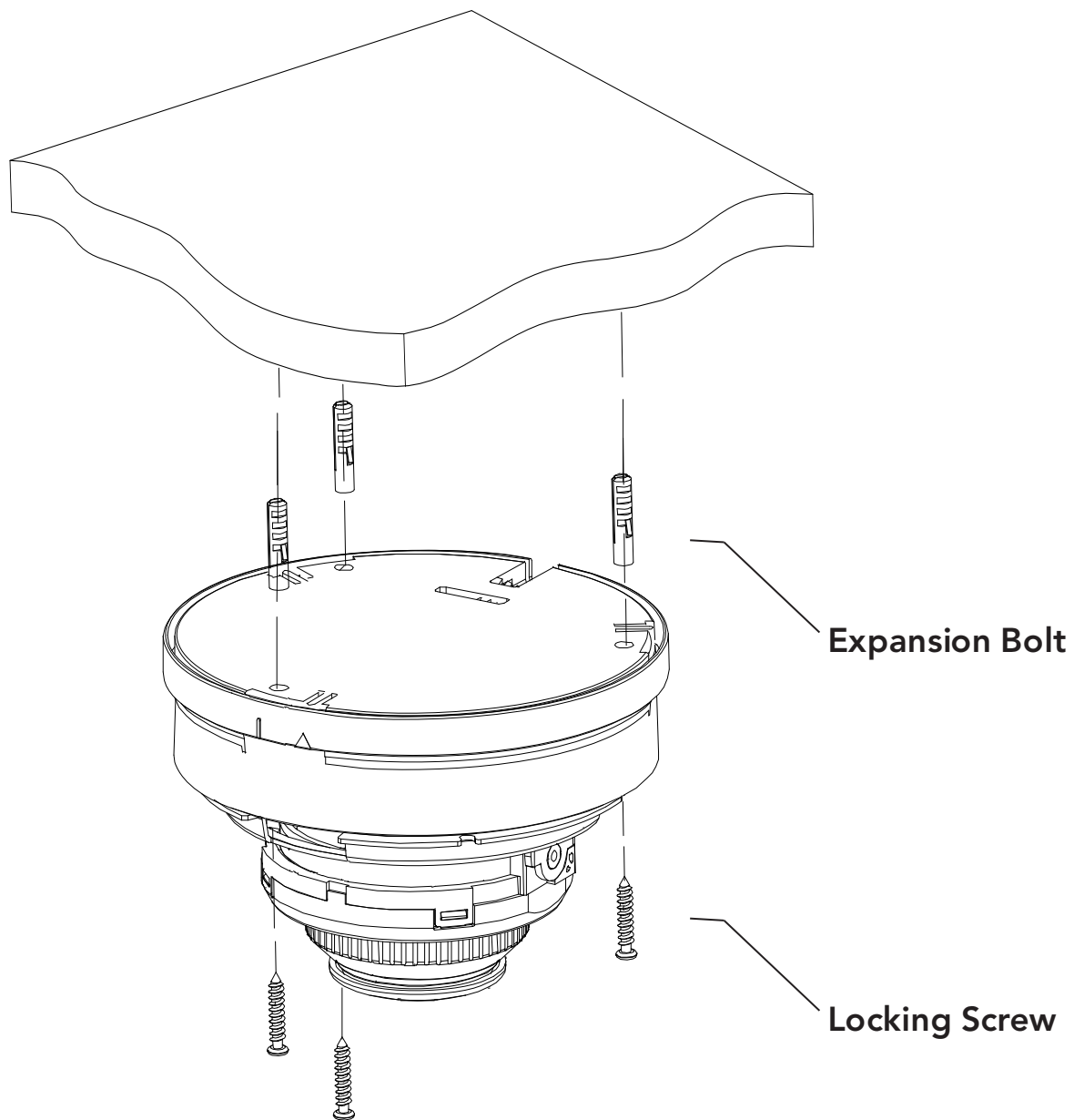
Ceiling Mounting



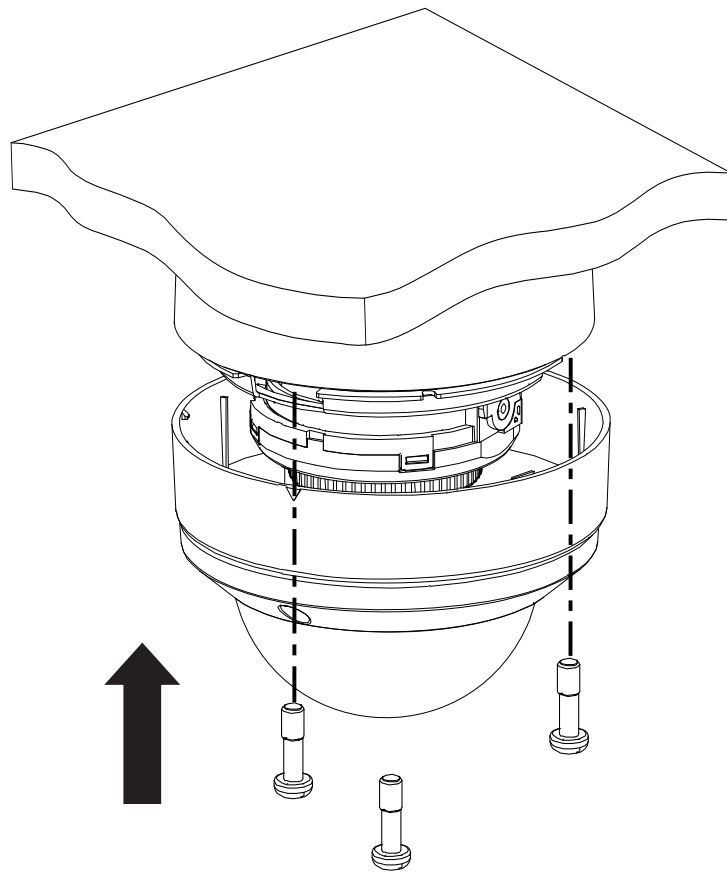
Paste the sticker in place at the proper position as selected.



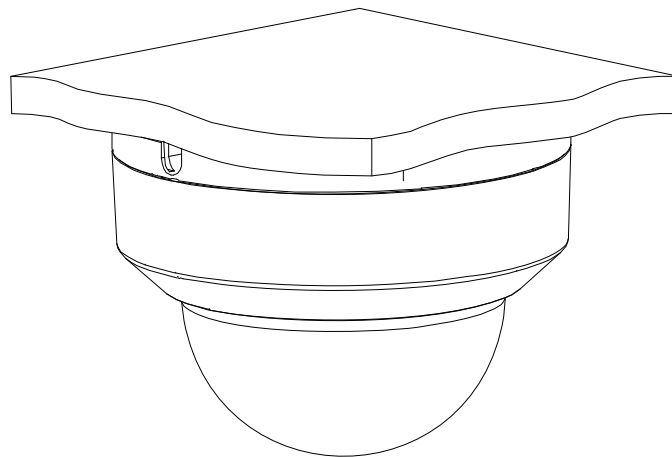
Remove the shield off the camera by the down



Fix the base by drilling locking holes around the sticker and inserting three expansion bolts into the holes and fastening it with three locking screws. Adjust it to an appropriate angle.

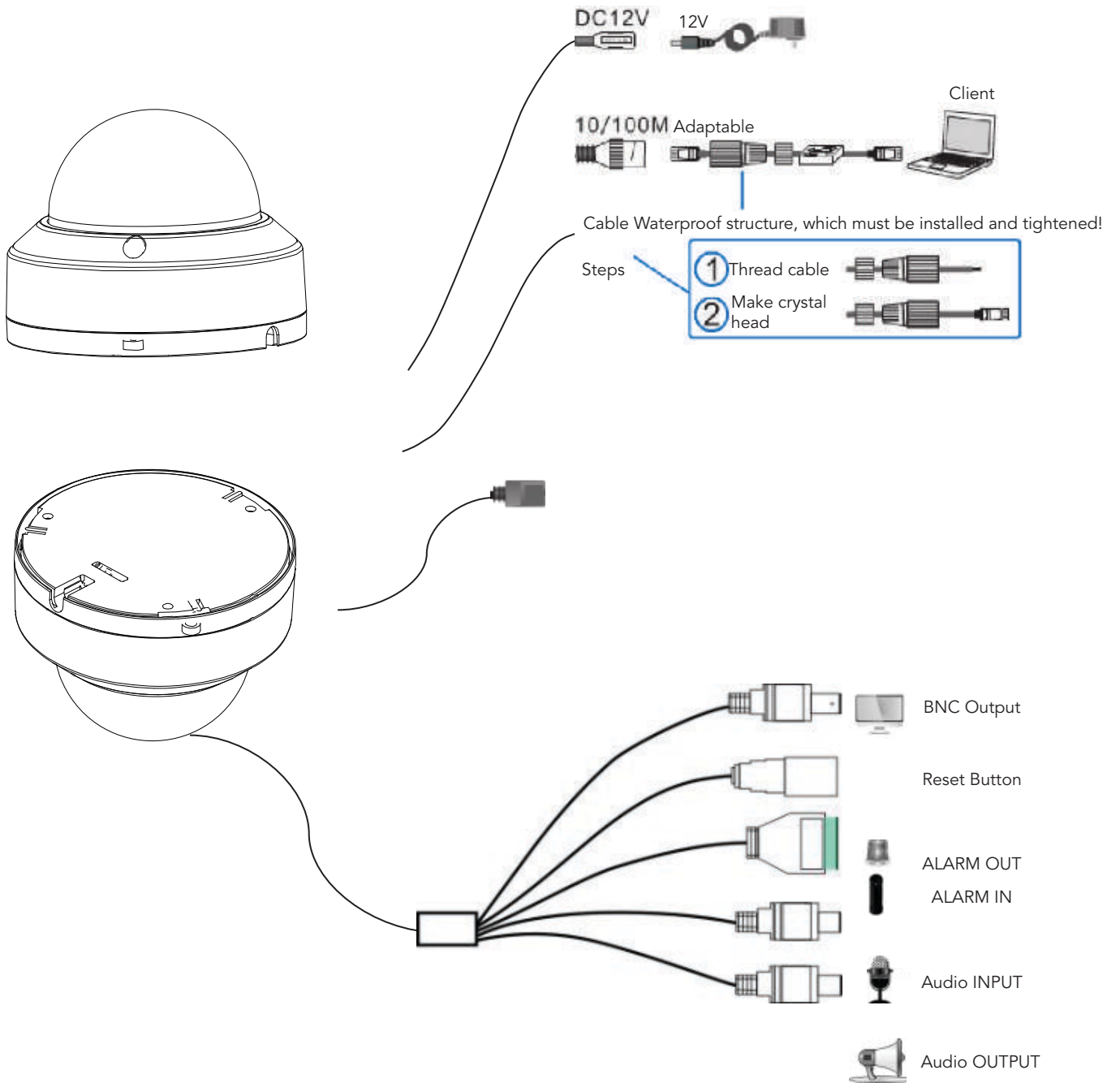


After angle adjustment, mount the shield back by rotating the collar up.



Completion of Installation

4. Connecting Cables



Connection for Multiple Functions

NOTE: Some model support POE function, after connect RJ45 cable, no need to connect additional power supply.

Standard models only have basic functions.

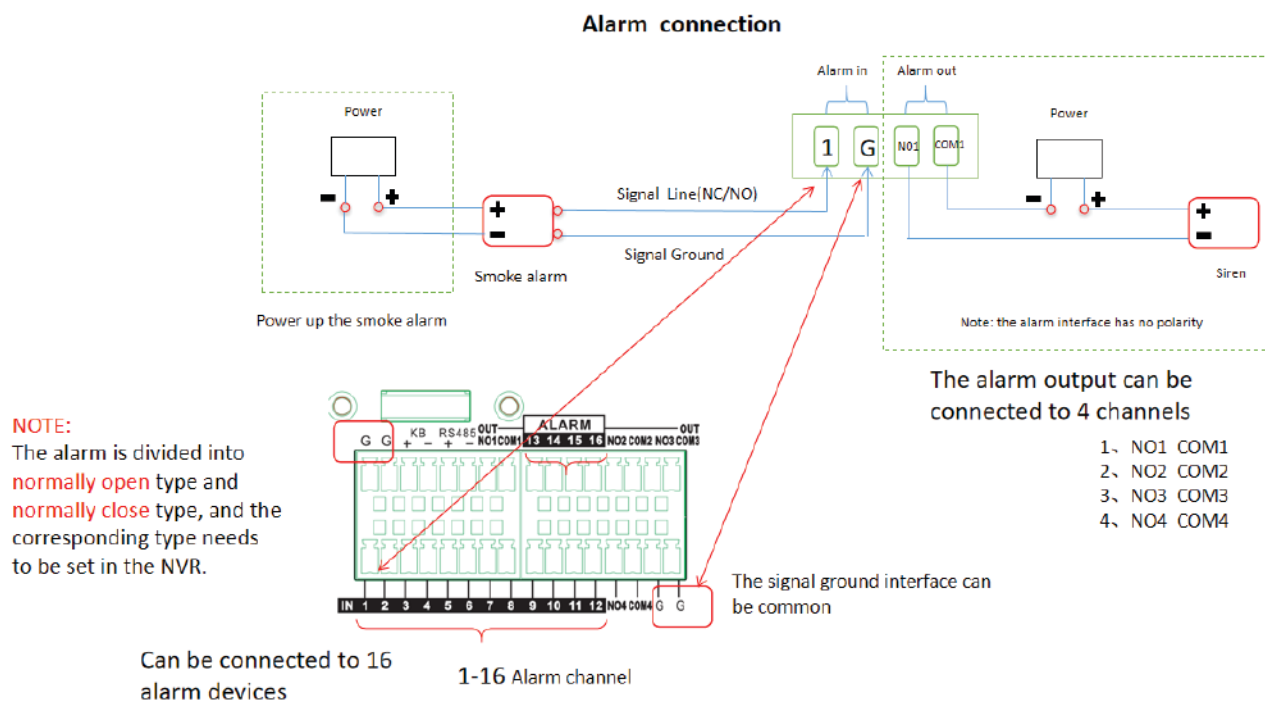
Full function models have all connectors.

CAUTION

RISK OF EXPLOSION IF BATTERY IS REPLACED BY AN INCORRECT TYPE.

DISPOSE OF USED BATTERIES ACCORDING TO THE INSTRUCTIONS.

5. I/O ALARM WIRING DIAGRAM



6. Login System

1) Minimum system requirements:

CPU: Intel Core Duo II dual-core processor or higher

Memory: 1G or more

Video memory: 256M or more

Operating system: Windows 7/Windows 8/Windows 2008 (32/64-bit),
Windows 2003/Windows XP/Windows 2000 (only 32-bit)

Display: 1024 × 768 or higher resolution

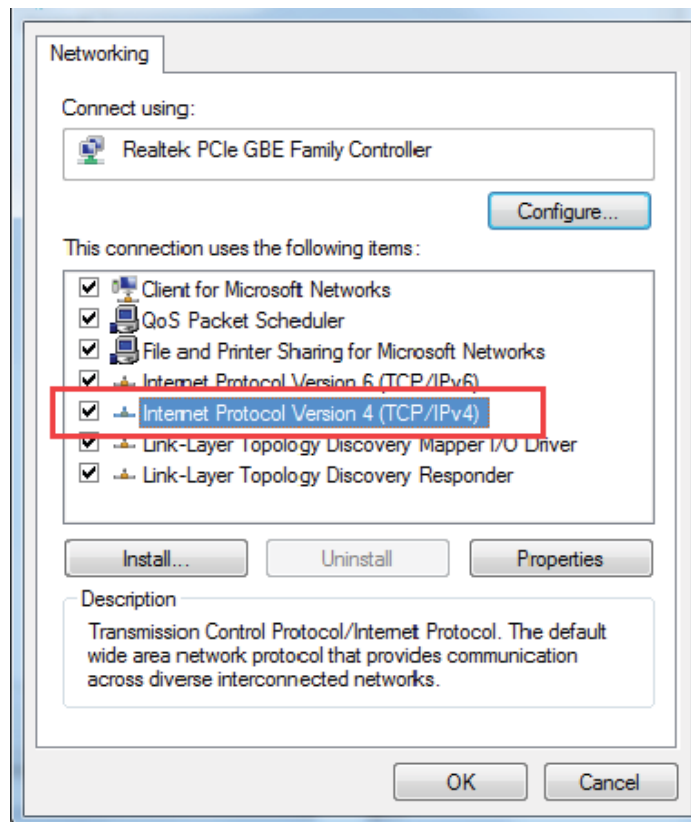
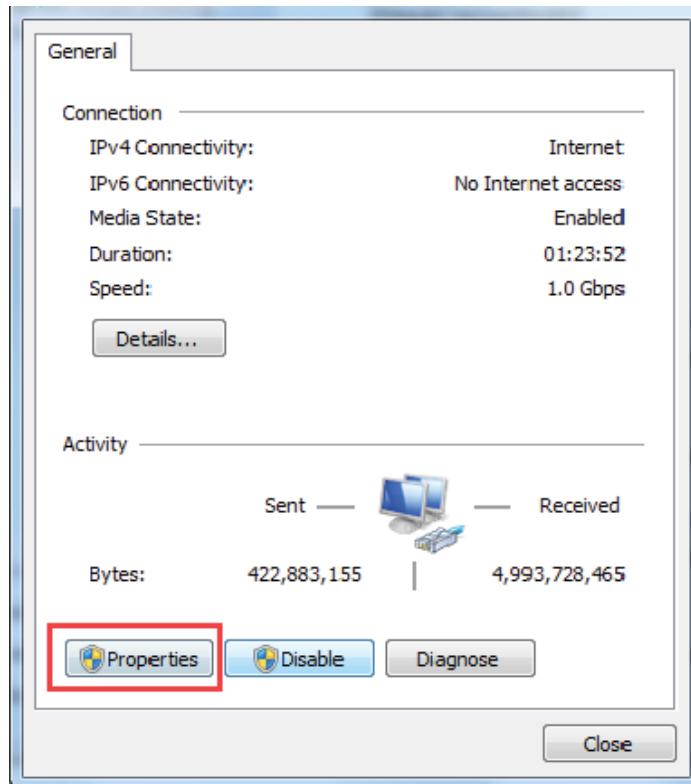
IE: IE 6.0 or higher version

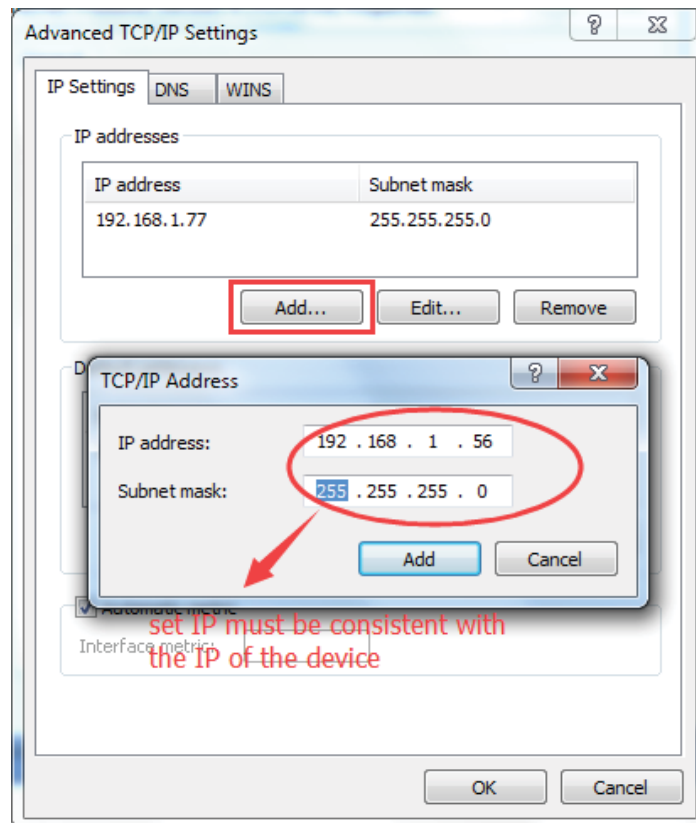
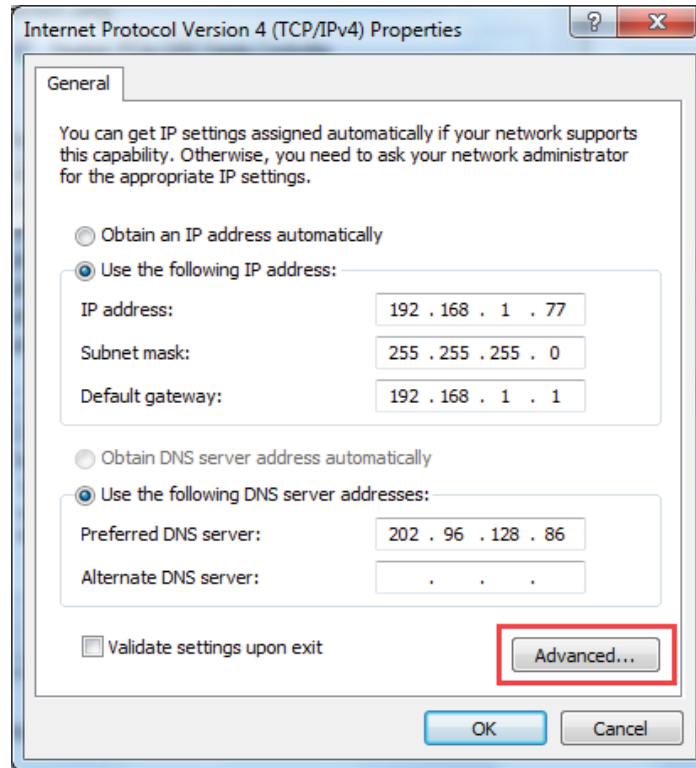
2) Network Connection Configuration

The default static IP address for the equipment is: 192.168.1.168

Procedure for Login Web interface:

Step 1: Run to Control Panel > Network Connection and Sharing > Local Connection in Windows 7 system, and set your PC in the same network segment where the camera is located, as shown below.

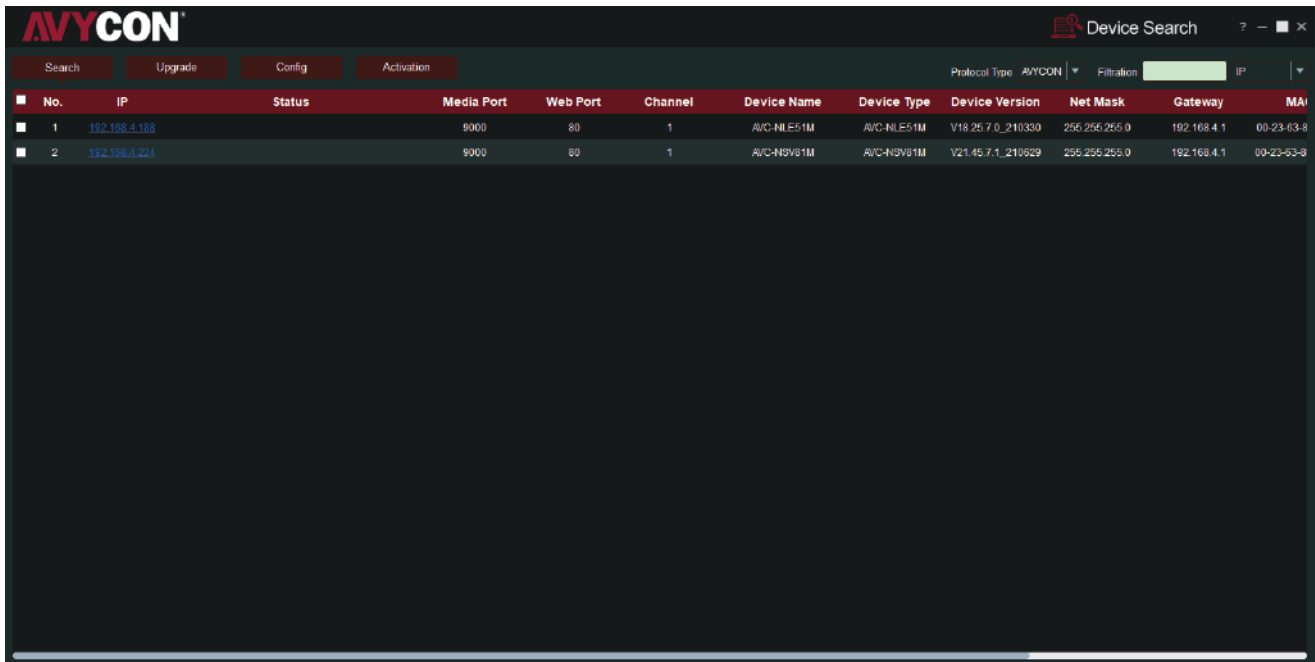




NOTE: When software IPC Device Search is used for search, which employs multicast protocol to search network information on the equipment across segments, and no multicast data packet is permitted by any firewall, so a firewall must be disabled to acquire network information on the equipment.

Step 2: Run the IP search tool Device Search provided in the CD as attached.

Search IP address for the equipment within the segment by clicking Search button. Any IP address acquired for the equipment and information on HTTP port will be displayed as below.



The screenshot shows the AVYCON Device Search interface. At the top, there are tabs for Search, Upgrade, Config, and Activation. The Search tab is active. Below the tabs, there are fields for Protocol Type (set to AVYCON) and a Filter button. A table displays the search results with the following columns: No., IP, Status, Media Port, Web Port, Channel, Device Name, Device Type, Device Version, Net Mask, Gateway, and MAC. Two devices are listed in the table.

No.	IP	Status	Media Port	Web Port	Channel	Device Name	Device Type	Device Version	Net Mask	Gateway	MAC
1	192.168.4.183		9000	80	1	A/C-NLE51M	A/C-NLE51M	V18.26.7.0_210330	255.255.255.0	192.168.4.1	00-23-03-8
2	192.168.4.224		9000	80	1	A/C-NSV81M	A/C-NSV81M	V21.45.7.1_210929	255.255.255.0	192.168.4.1	00-23-53-8

NOTE: : In case that access to IE by the equipment may fail due to IP address conflict, the IP address has to be changed.

Changing procedure: Select the IP address to change > put down the correct parameters > enter the password > click Change.

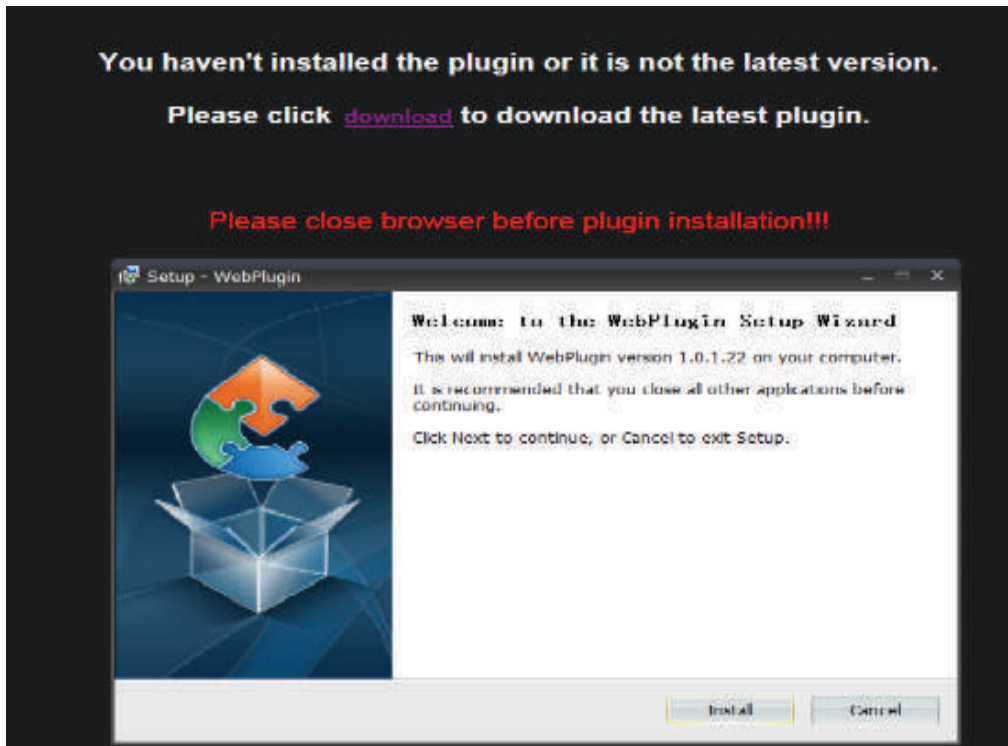
An example of correct parameters is given below: IP address: 192.168.1.123; Gateway: 192.168.1.1; Subnet mask: 255.255.255.0

Account name: admin; Password: admin

Step 3: For initial use of Internet Explorer (IE) for access to the network camera, a plugin has to be installed by the following means:

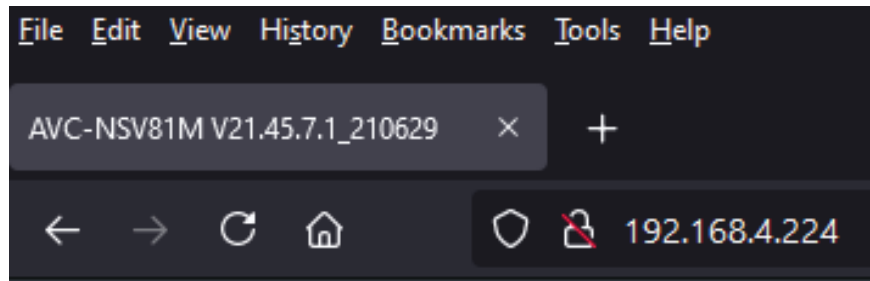
Access IP address of the IP camera to automatically load the controls from it.

In a pop-up plug-in installation dialog box, choose an installation option to perform the installation process.

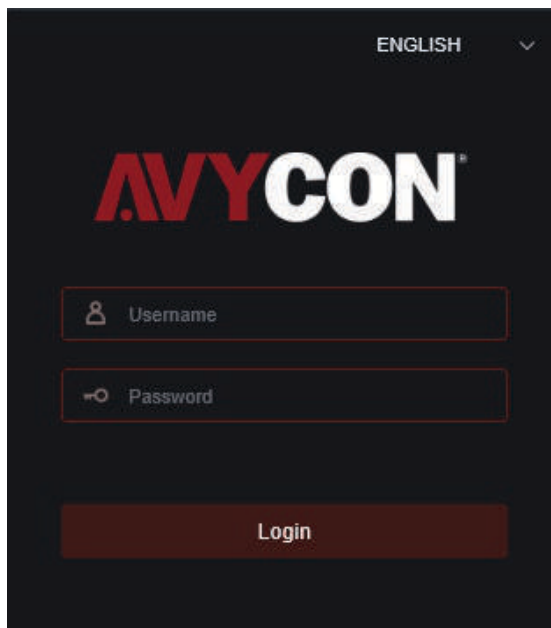


IPC Plugin

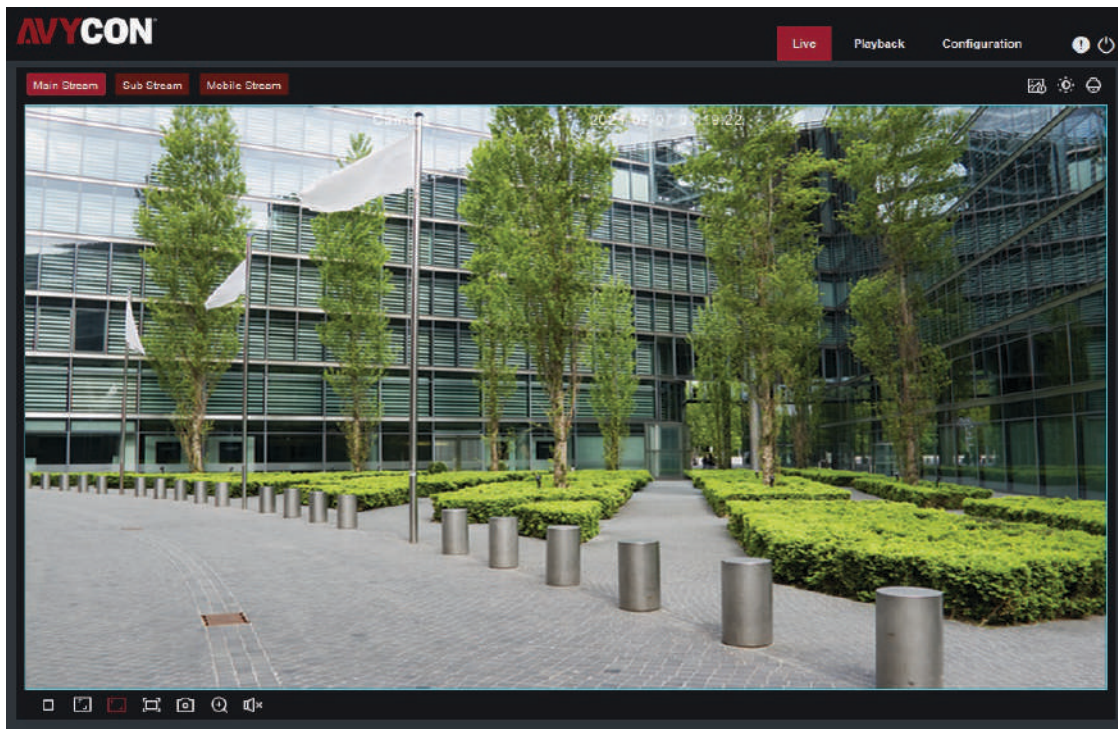
Step 5: Open IE and enter the IP address of the equipment in the address bar and press ENTER.



Step 6: Enter the user name and password (the default user name and password are both "admin"), and click "Login" to log in.



Step 7: After successful login, The default preview page will be displayed.



AVYCON[®]



AVYCON[®]

Copyright © AVYCON. All rights reserved. Specifications and pricing are subject to change without notice.

phone: 949-752-7606
email: info@avycon.com
social: [@avycon_aivo](#)
website: avycon.com